

PRODUCT INFORMATION PACKET

Model No: 048A11O1350

Catalog No: X018

Fan and Blower Motor, 0.25 HP, 1 Ph, 60 Hz, 277 V, 1200 RPM, 48Y Frame, OPAO



Regal and Marathon are trademarks of Regal Rexnord Corporation or one of its affiliated companies.

©2024 Regal Rexnord Corporation, All Rights Reserved. MC017097E

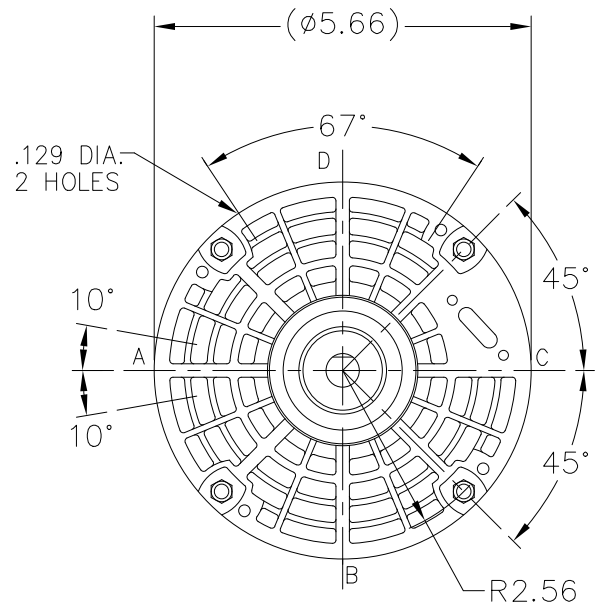
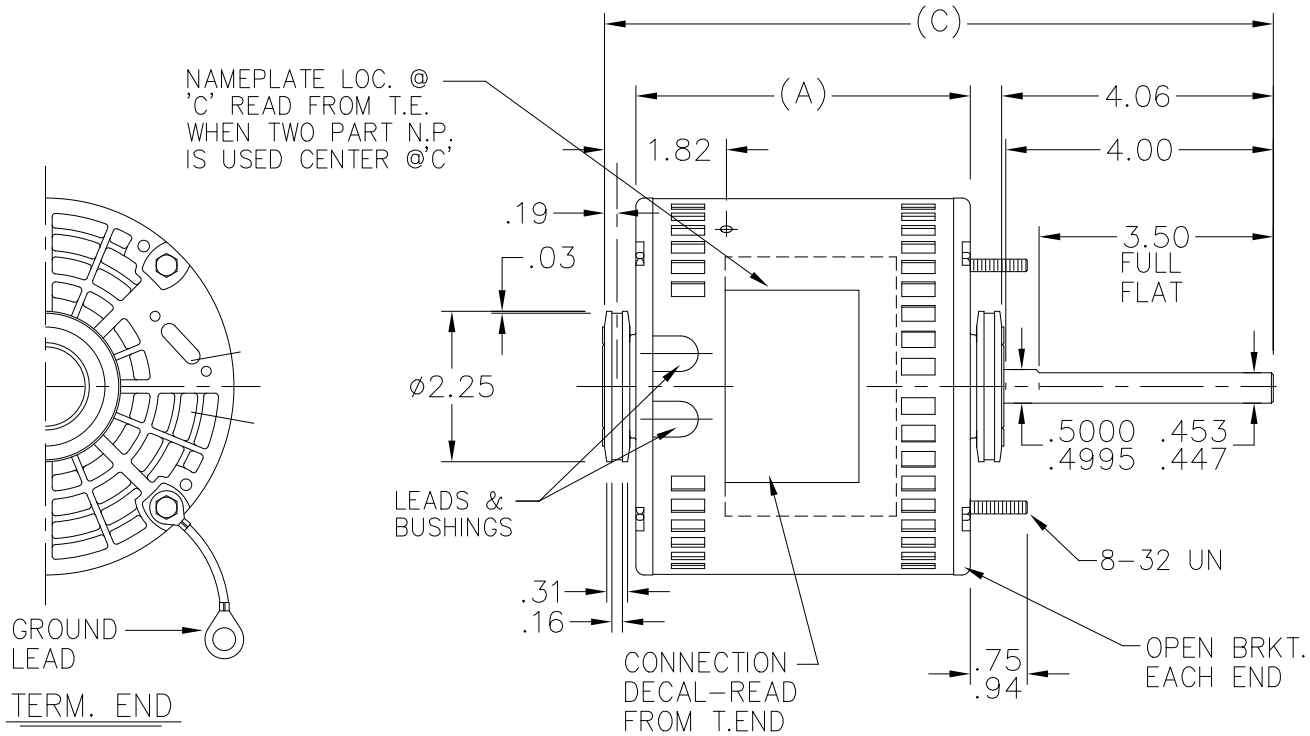


Nameplate Specifications

Phase	1	Output HP	0.25 Hp
Output KW	0.19 kW	Voltage	277 V
Speed	1075 rpm	Service Factor	1.0
Frame	48Y	Enclosure	Open Air Over
Thermal Protection	Automatic	Efficiency	61.2 %
Ambient Temperature	40 °C	Frequency	60 Hz
Current	1.6 A	Power Factor	98.7
Duty	Continuous	Insulation Class	B
Design Code	NO DESIGN CODE	KVA Code	A
Drive End Bearing Size	6203	Opp Drive End Bearing Size	6203
UL	Recognized	CSA	Y
CE	N	IP Code	10
Number of Speeds	3		

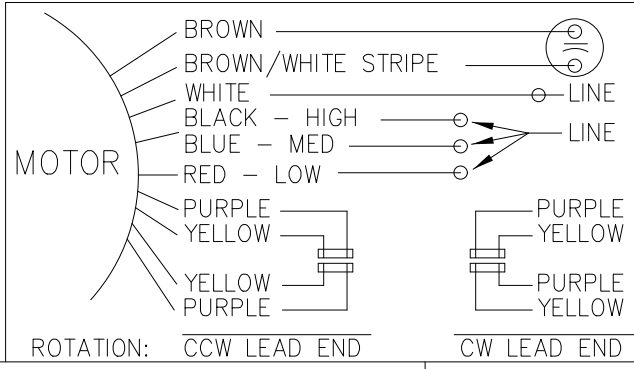
Technical Specifications

Electrical Type	Permanent Split Capacitor	Starting Method	Across The Line
Poles	6	Rotation	Selective Counterclockwise
Resistance Main	0 Ohms	Mounting	Resilient Ring - Extended Studs
Motor Orientation	Horizontal	Drive End Bearing	Ball
Opp Drive End Bearing	Ball	Frame Material	Rolled Steel
Shaft Type	Single Special Extension	Overall Length	9.25 in
Frame Length	3.75 in	Shaft Diameter	0.500 in
Shaft Extension	4.06 in	Assembly/Box Mounting	F1 ONLY
Outline Drawing	A-SS403409-375	Connection Drawing	6906493



LEAD DESCRIPTION:

- 1 WHITE, 1 BLACK, 1 BLUE, & 1 RED, LEAD WITH .50 BARE WIRE STRIP. 30.00" LONG
- 2 BROWN LEADS WITH .25 FLAG-TYPE QUICK CONNECTS 30.00" LONG. BROWN/ WHITE MARKED LEAD IS COMMON TO WHITE.
- REVERSING LEADS ARE MOLDED INTO MATING PULL-APART PLUGS. 1 YELLOW & 1 PURPLE LEAD PER PLUG. 5.00" LONG.
- GREEN GROUND LEAD WITH TERM. FOR #10 SCREW 12.00" LONG.



DASH	C	A
375	9.25	4.25
400	9.50	4.50
425	9.75	4.75
475	10.25	5.25
488	10.38	5.38
500	10.50	5.50

			TOLERANCES UNLESS SPECIFIED	
			DEC.	INCHES
			.X	±.1
			.XX	±.02
			.XXX	±.005
01	CHG FROM MARATHON TO RRX TEMPLATE PER ECR-0233451	MD 5/2/24	DS .XXXX	±.0005
NO.	REVISION	BY & DATE	CHK ANG	±7'30"

Regal Rexnord Regal Beloit America, Inc.

TITLE OUTLINE

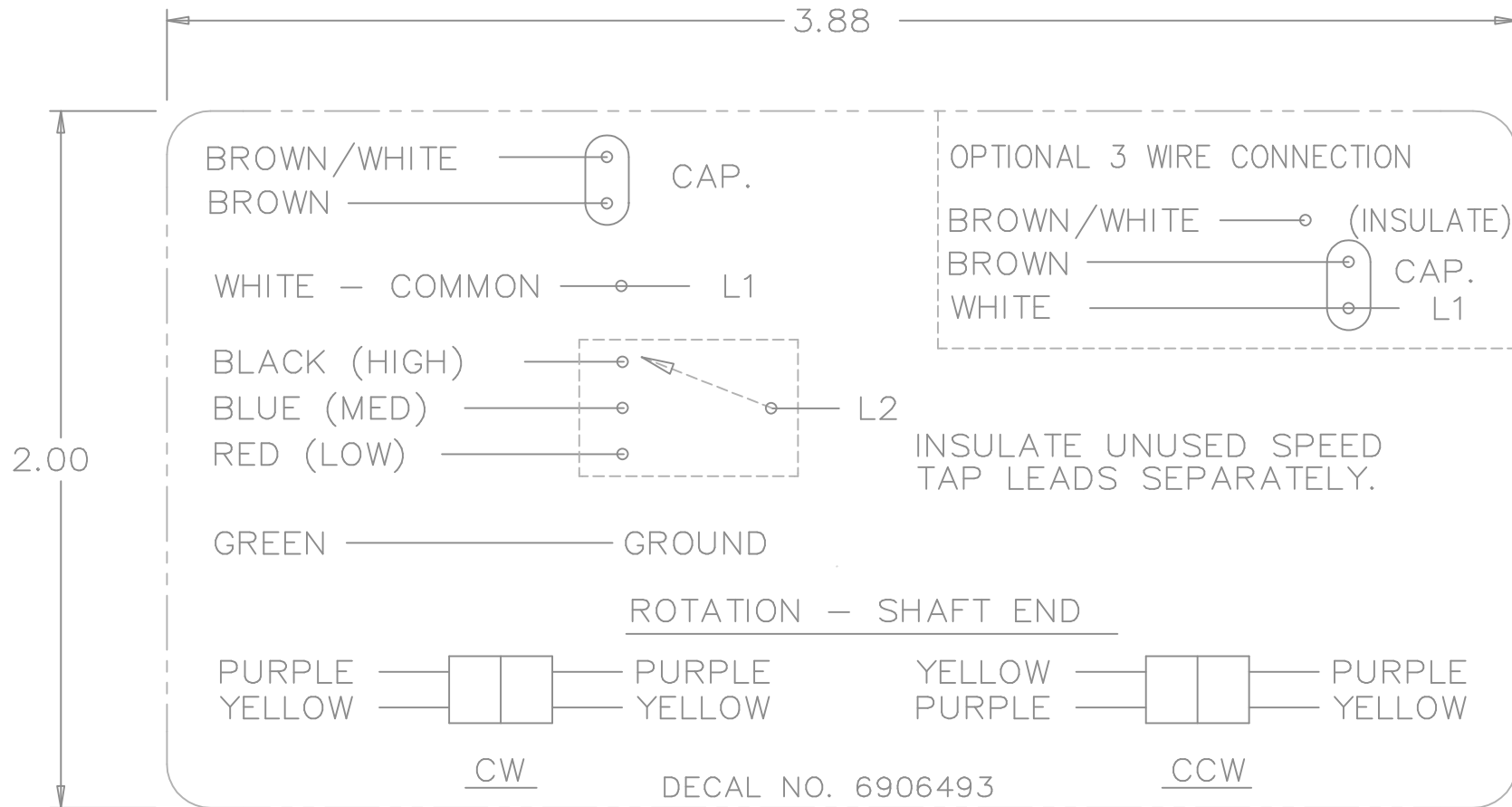
DRAWN	HLB 05-13-2004
CHK	ML 05-13-2004
APPD	MJS 05-14-2004
SCALE	3=9
REF	
FMF	MU50817/MU50818
PREV	

THIS DRAWING IN DESIGN AND DETAIL IS OUR PROPERTY AND MUST NOT BE USED EXCEPT IN CONNECTION WITH OUR WORK ALL RIGHTS OF DESIGN AND INVENTION ARE RESERVED THIS IS AN ELECTRONICALLY GENERATED DOCUMENT - DO NOT SCALE THIS PRINT

RFP 05-14-2004
DIST WP

CAD FILE ss403409

SIZE A DRAWING NO. SS403409 PAGE 1 OF 1 REV. 01



				TOLERANCES UNLESS SPECIFIED		REGAL-BELOIT <i>Motor Technologies</i>	DRAWN MRB 04-16-1998				
				DEC.	INCHES		CHK	ML	04-22-1998		
				.X	±.1		APPD	GK	04-22-1998		
3	REMOVED 'MARATHON ELECTRIC' CN 35106	DRS 05-01-2002	TOM	.XX	±	TITLE CONNECTION DECAL	SCALE	1=1			
2	PART NAME WAS CONNECTION DIAGRAM CN 25669	MRB 04-25-1998		.XXX	±.005		REF				
1	NEW DRAWING CN 25669	MRB 04-22-1998		.XXXX	±.0005	MAT'L.	FMF				
NO.	REVISION	BY & DATE	CHK	ANG	±	FINISH	PREV				
THIS DRAWING IN DESIGN AND DETAIL IS OUR PROPERTY AND MUST NOT BE USED EXCEPT IN CONNECTION WITH OUR WORK ALL RIGHTS OF DESIGN AND INVENTION ARE RESERVED THIS IS AN ELECTRONICALLY GENERATED DOCUMENT - DO NOT SCALE THIS PRINT				RFP	CAD FILE 6906493		SIZE	DRAWING NO.	PAGE	OF	REV.
				DIST	WP		A	6906493			3

** Subject to change without notice.



MARATHON ELECTRIC CORPORATION
TYPICAL PERFORMANCE CURVE for AC MOTOR

Customer

Curve at

277

Volts

HP 0.25

PHASE 1

Model No 48A11O1350

60

HZ

VOLTS 277

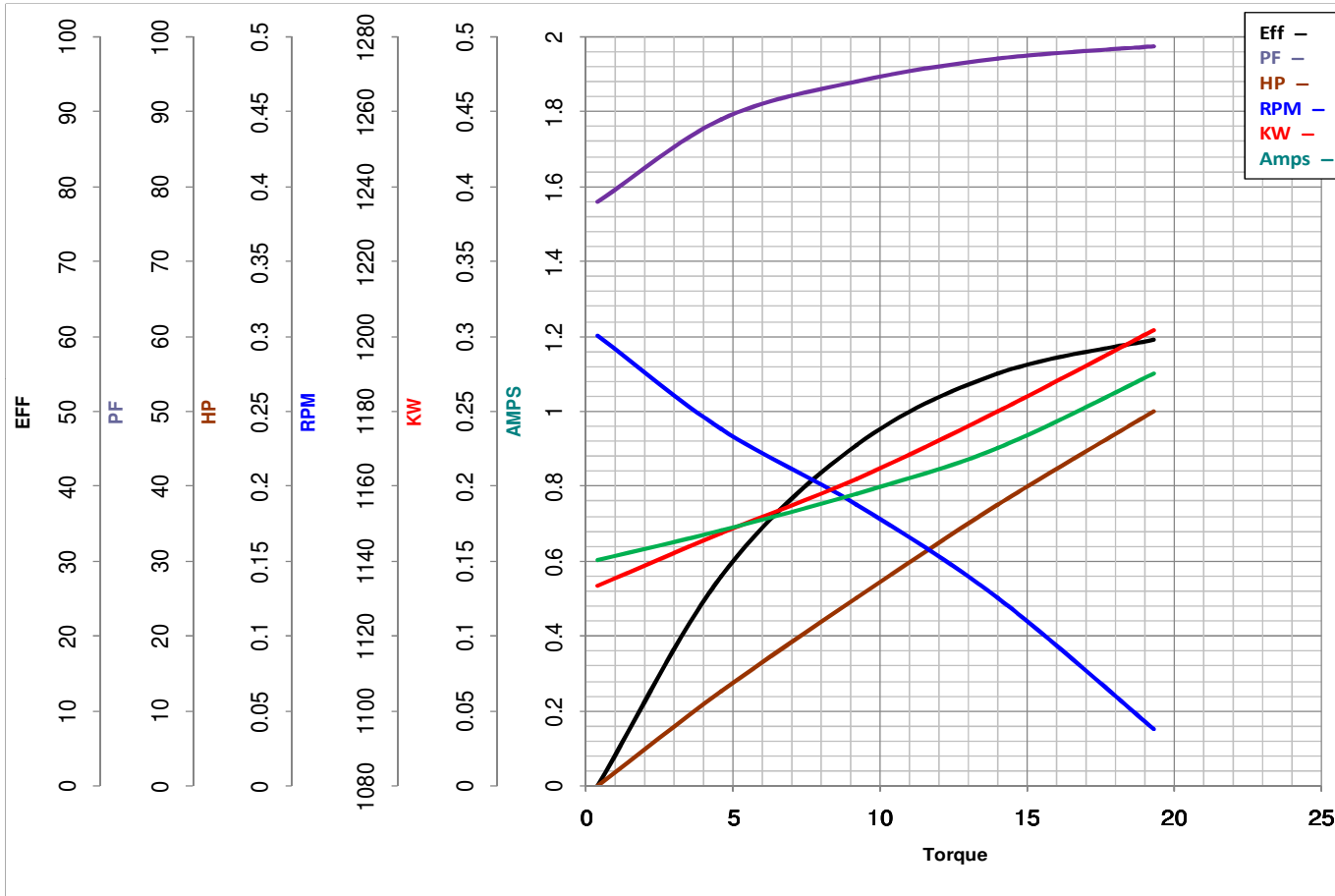
Catalog No X018

0.25

HP

HZ 60

RPM 1075



Torque in Oz.Ft

FL TORQUE 19.3 Oz.Ft
BD TORQUE 27.4 Oz.Ft
LR TORQUE 8.2 Oz.Ft

FL AMPS 1.6
PU TORQUE 7.0 Oz.Ft
LR AMPS 2.41

WINDING PE4861505-4

Date 1/4/2019